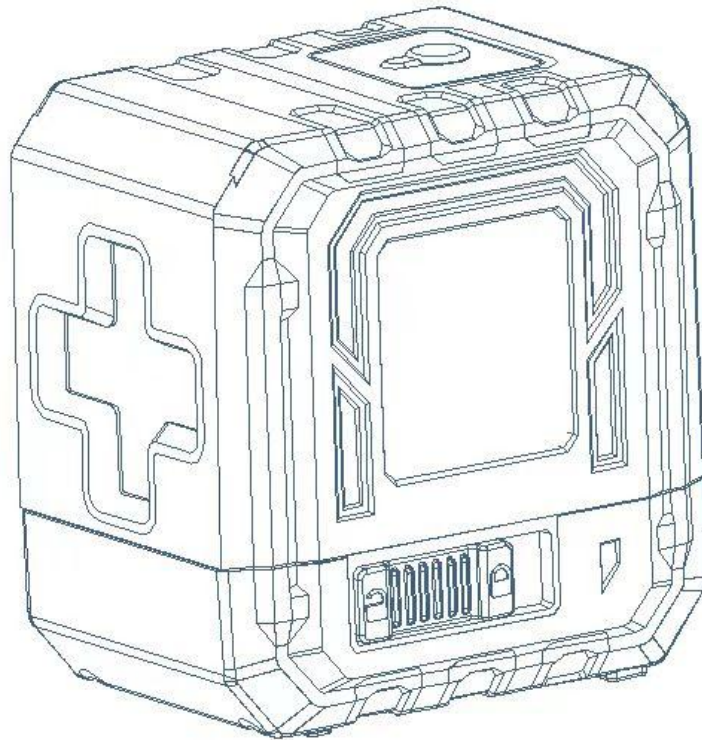


Operation manual

KY 2501 CROSSING LASER LEVEL



Please read carefully the contents of each part of this manual before use, especially regarding the safety precautions section, in order to use the machine correctly. Please keep this manual in a safe place so that you can read it when necessary.

A) Features:

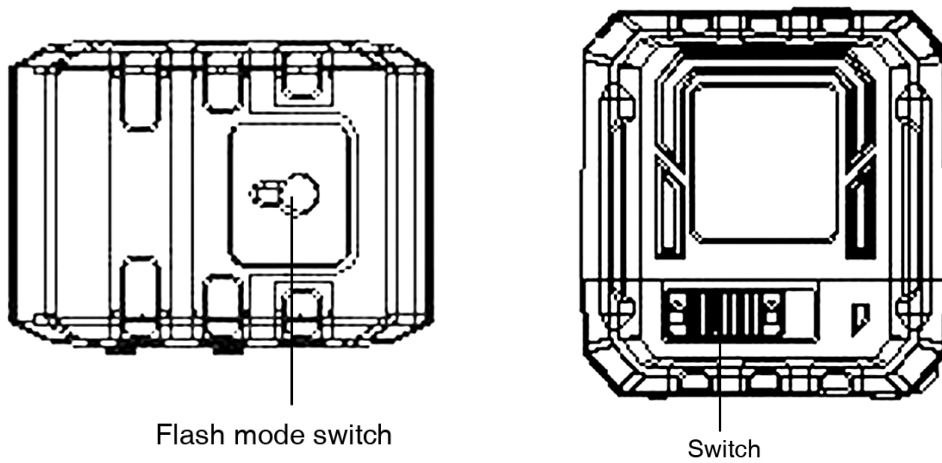
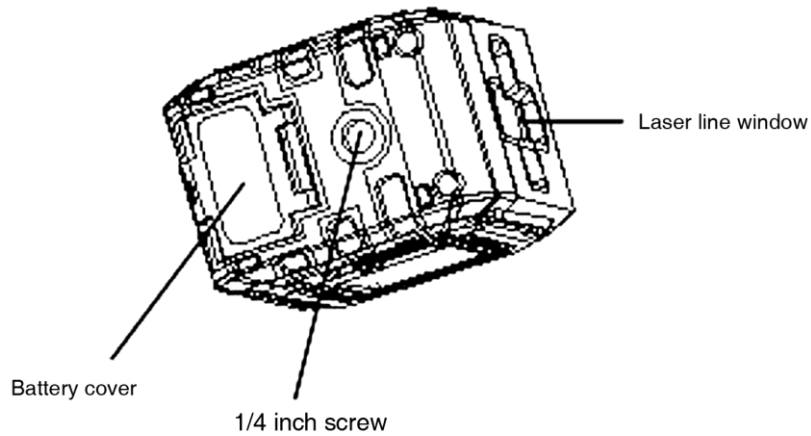
Carefully polished body, streamlined exquisite shape design, novel and beautiful, good impact resistance of the shell rubber. The shell is made of TPE two-component elastomer encapsulation with high impact resistance. The instrument uses high-precision bearings and optimized cross shaft to make the movement structure more stable and stable. The machine is dust-proof and waterproof up to IP54.

- 1) This product can shoot cross laser line at the same time ,so that the decoration master can complete the decoration operation as soon as it is positioned once. It is efficient and time-saving and convenient to use.
- 2) Using imported brand high-power laser diodes and high-precision conical mirrors, the light emitted is fine, bright and with high precision.
- 3) The internal movement structure is self-developed and has good stability. It applies for national invention patents.
- 4) With fast stop rock magnetic damping technology, the lockout time is shorter.5) With rotating base or wall mount.
- 5) It has a slash mode for a wider range of applications.
- 6) This product is produced according to the quality control standards for export laser level.

B) Technical data:

Name	2 line crossing laser level
Laser color	Green
Laser Wavelength	515nm
Laser Class	2
Accuracy:	±1.5mm/5m
Working Range	15m / 30m (with receiver)
Auto- Leveling Angel	4°±1°
Pulse Model	Yes
Locking Model	Yes
Built-in tripod thread	1/4 in
Battery:	2*1.5V AA
Operating Time	About 4h
Dimension	73*53*76mm
Weight(no battery)	185g
Operating Temperature	-10°C--+50°C
Storing Temperature	-20°C---+60°C

C) Parts:



D) Operation:

Open the battery cover as shown in the illustration and use the dedicated battery for this product. Pay attention to the positive and negative direction of the battery. Turn on the switch (locking switch) to take the appropriate action. In this case, the auto-leveling mode allows the instrument to automatically level at approximately ± 3 degrees, it blinks when the angle is beyond the self leveling range.

Note: When the automatic leveling mode is in progress, pressing the slash mode switch at this time is ineffective.

Put the locking switch in lock position and long press the Slash mode button for 3 seconds to enter the slash mode. At this time, the laser line is on for 5 seconds, and off for 0.2seconds for slow flashing to indicate using under non-self leveling mode (ie, slash mode).

The instrument can be placed directly on a relatively flat surface or on the desktop for measurement. It can also be attached to accessories such as a connecting base, a wall mount, or a camera tripod.

E) Cautions:

Please do not look directly into the laser beam and shine on others.

The accuracy of the instrument has been strictly checked before leaving the factory, but in order to avoid unnecessary errors, it is recommended that the basic accuracy test be performed for the first time and when it is not used for a long time.

After use, please lock the pendulum of the instrument in time to protect the internal movement and put it into the box or soft pack in time.

Do not short-circuit the battery and do not throw it into a fire.

Do not use the charger that does not match. Do not overcharge and overdischarge the rechargeable battery.

Please place the battery out of children's reach.

Remove the battery when you are not using the instrument for a long time (such as several months).

Do not place the instrument in a high-temperature environment, which accelerates the aging of the parts and affect the accuracy.

Always wipe the instrument, keep the instrument dry, and clean the instrument. Avoid using organic solvents.

This product must not be modified or dismantled.

Please follow the local regulations of the WEEE (Disposal Electronics, Electrical Equipment Directive) for collection and disposal of this instrument.